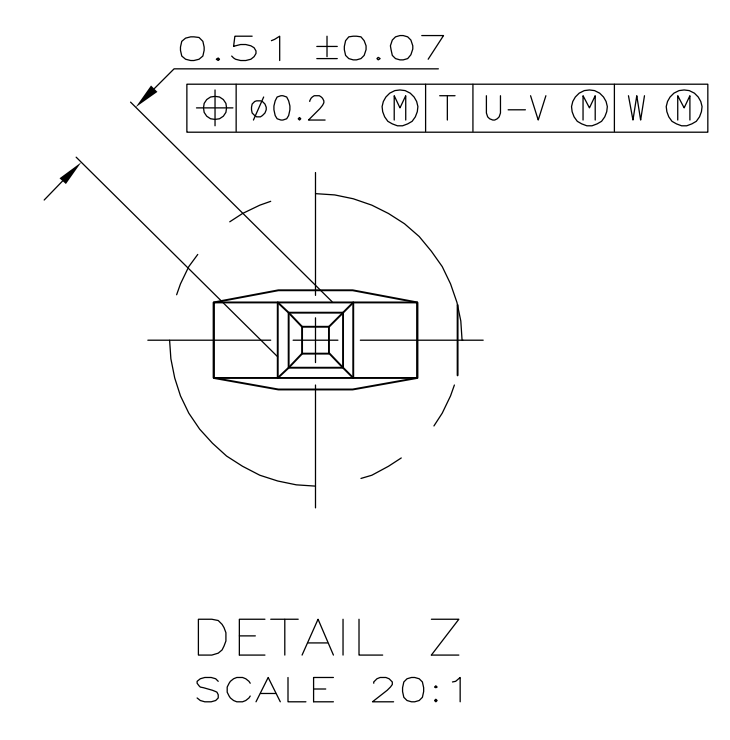


- ① HOUSING MATERIAL: LIQUID CRYSTAL POLYMER PER ASTM D5138 LCP000 G30A 32250.
- ② CONTACT MATERIAL: PHOSPHOR BRONZE.
- ③ CONTACT FINISH:  
 UNDERPLATE (ENTIRE CONTACT):  
 0.00127 MIN NICKEL.  
 ON MATING SURFACES:  
 CONFORMS TO ALL TESTING SPECIFIED FOR TELCORDIA UNCONTROLLED ENVIRONMENT.  
 ON LEADS  
 0.00381 MIN TIN-LEAD OVER UNDERPLATE.  
 LUBRICATION (ENTIRE CONTACT):  
 SURFACE CONDITIONER PER AMP SPEC 112-1002 AFTER PLATING.
- ④ PART MARKING PER AMP INCORPORATED SPECIFICATION 115-9009, LOCATED APPROXIMATELY AS SHOWN.



RECOMMENDED CIRCUIT PATTERN  
 PER IPC-D300 TYPE II, CLASS C  
 (COMPONENT SIDE)

4.25	6.5	34	17	35.88	③	72	1-536501-1	
4.25	6.5	130	65	131.88	③	264	1-536501-0	
4.25	6.5	106	53	107.88	③	216	536501-9	
4.25	6.5	118	59	119.88	③	240	536501-8	
4.25	6.5	82	41	83.88	③	168	536501-7	
4.25	6.5	58	29	59.88	③	120	536501-6	
OBSOLETE	4.25	6.5	70	35	71.88	③	144	536501-5
4.25	6.5	94	47	95.88	③	192	536501-4	
4.25	6.5	46	23	47.88	③	96	536501-3	
4.25	6.5	22	11	23.88	③	48	536501-2	
4.25	6.5	10	5	11.88	③	24	536501-1	
E	D	C	B	A	FINISH	NO OF POSN	PART NUMBER	

THIS DRAWING IS A CONTROLLED DOCUMENT.

DIMENSIONS: mm	TOLERANCES UNLESS OTHERWISE SPECIFIED:	DRN: D.R. BENDER 08/06/92	CHK: R. BENDORF 09/14/92	APPRO: R. BENDORF 09/14/92	NAME: R. BENDORF	DATE: 09/14/92	PRODUCT SPEC: Z-PACK 2mm FB, SIGNAL MODULE, PIN ASSEMBLY	SIZE: A1	CAGE CODE: 00779	DRAWING NO: 536501	RESTRICTED TO: -
0 PLC ± -	1 PLC ± -	2 PLC ± 0.13	3 PLC ± -	4 PLC ± -	ANGLES ± -	FINISH - ③	APPLICATION SPEC: -	WEIGHT: -	SCALE: 4:1	SHEET: 1 OF 1	REV: S

tyco Electronics  
 Tyco Electronics Corporation  
 Harrisburg, PA 17105-3608